

Model type:  
**ARWL129SNA**

Commercial code:  
**63067**

## General notes

### Technical Documentation guidelines

---

---

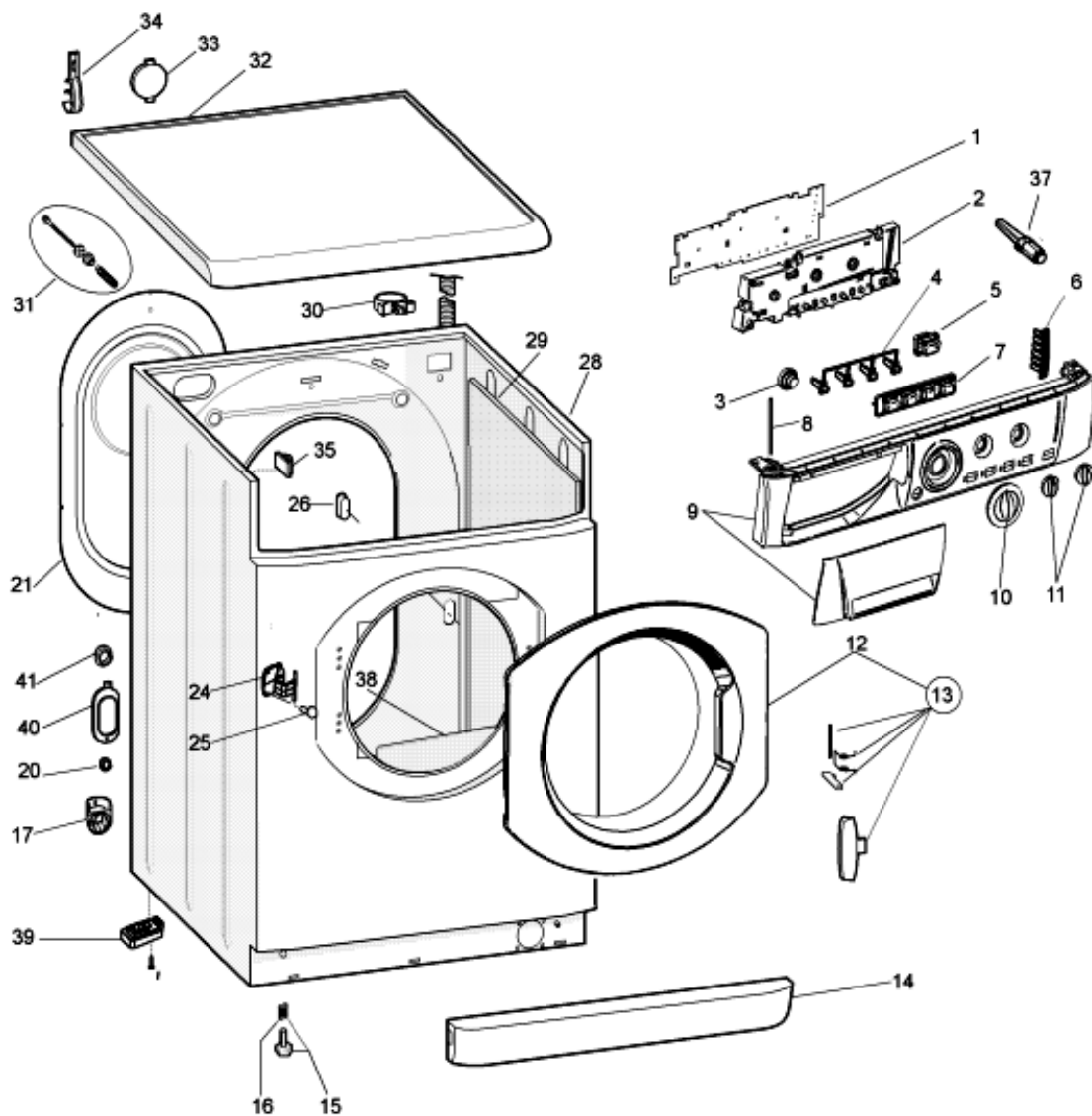
You can find herewith some generic information to simplify consulting of technical documentation:

1. Models of same range share the same exploded views, which report the richest set of spare parts: generally, a model does not necessarily have a related spare part for each particular shown on exploded views.
2. Some spare parts can not be represented directly on the exploded views (instruction booklets, specific kit, etc...). You can find those codes in the spare parts list with the same reference of particular where spares are installed or with references 099, 999. Instruction booklets, once managed, appear with 000 reference.
3. On the higher right site of each exploded view there is a serial number which indicates the beginning of the production of certain range: some models might have more than an exploded view for a given category, each distinguished by a different serial no. and linked to another spare parts list, In this case, serial no. is required to supply the right spare part code. Exploded view to be considered is the one with a more recent serial no. but previous than the one of the model that needs assistance.
4. Exploded views might require further updates even after publishing. Addition of new spares will go on following the already existing numeration references. Revision number of an exploded view is shown into last four digits of serial number into upper right hand corner.
5. The spare parts list associated to an exploded view shows related codes of spares managed for a certain model; for each spare part other informations are available:  
  
REF: reference no of spare into a table; SUBSTITUTE: list of spare(s) which can replace a code but that keeps same functional characteristics  
  
INDUSTRIAL CODE: list of variables of a model (shown into model label) where such spare is used; NOTICE: code of information(s) to refer to complete technical intervention, track for changes or to find correct spare part code.
6. Some notices, into a same section are generic therefore cannot be directly linked to a spare part. In order to assist a model in the best way as possible, it is helpful to pay attention to all notices and constantly verify documentation updates
7. Technical documentation cover shows model name and its commercial codes

1140140A

Exploded views

Matr. 71015.0001  
LED



1140140A

1140140A

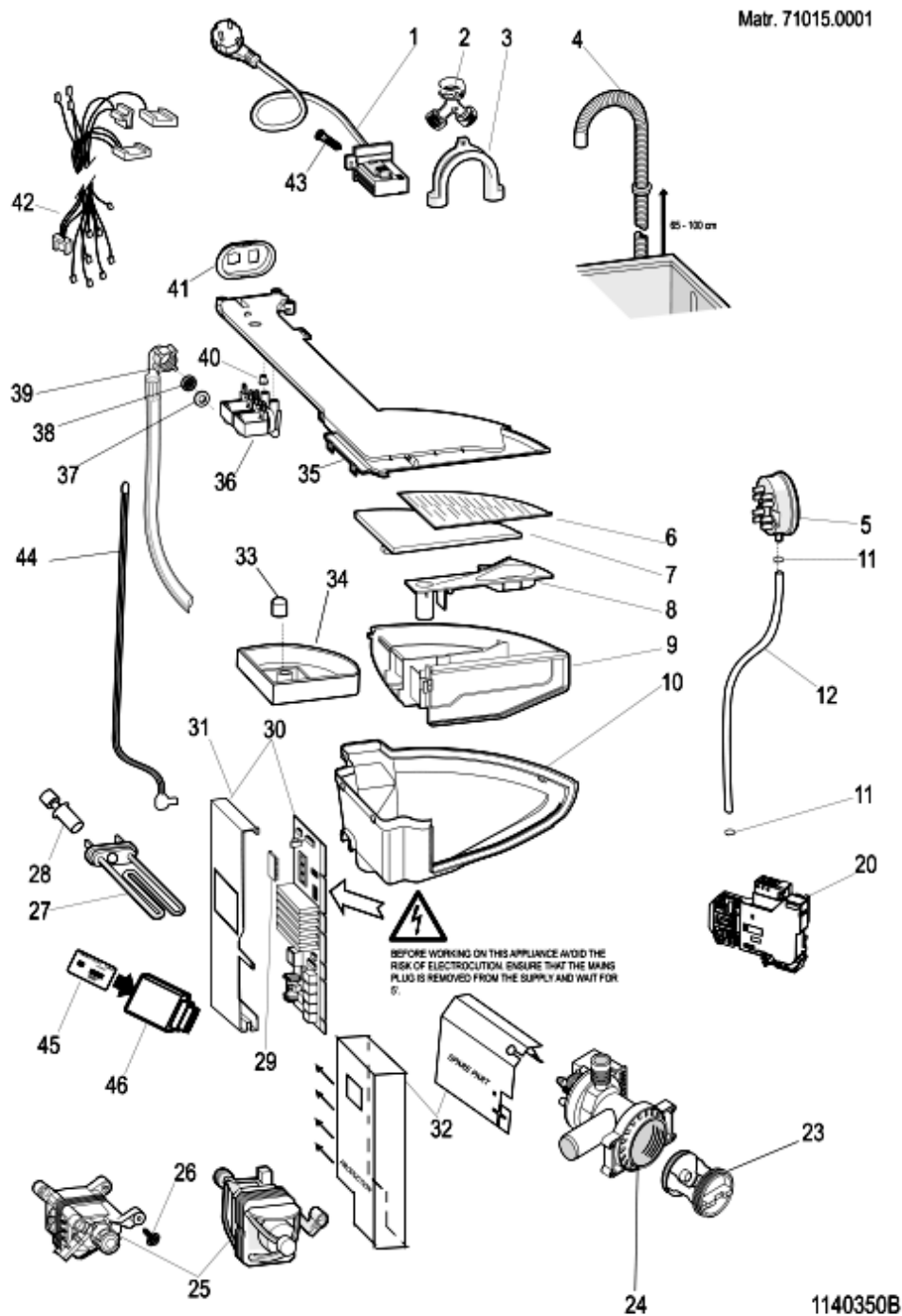
Spare parts

list

| Ref. | Code      | From | To S/N | Substitute    | Description                        | Notice | Industrial |
|------|-----------|------|--------|---------------|------------------------------------|--------|------------|
| 001  | C00259416 |      |        | 1 x C00277182 | display led 3 knobs evoii ariston  |        |            |
| 002  | C00259287 |      |        |               | pcb support led                    |        |            |
| 003  | C00278490 |      |        |               | pushbutton on/off silver led usa   |        |            |
| 004  | C00255148 |      |        |               | light guide option                 |        |            |
| 005  | C00278488 |      |        |               | pushbutton silver start/pause usa  |        |            |
| 006  | C00255147 |      |        |               | light guide status                 |        |            |
| 007  | C00278491 |      |        |               | option buttons silver (4) ariston  |        |            |
| 008  | C00091882 |      |        |               | pivot pin drawer front 106.5x5     |        |            |
| 009  | C00278492 |      |        |               | control panel & handle silver      |        |            |
| 010  | C00278489 |      |        |               | wash timer knob silver usa         |        |            |
| 011  | C00278486 |      |        |               | option knob silver usa             |        |            |
| 012  | C00278493 |      |        |               | door frame+glass silver arwl129s   |        |            |
| 013  | C00278327 |      |        |               | door handle kit - gray ariston usa |        |            |
| 014  | C00081310 |      |        |               | plinth grey 2                      |        |            |
| 015  | C00087084 |      |        |               | foot                               |        |            |
| 016  | C00083828 |      |        |               | foot spring (11x8.5mm)             |        |            |
| 017  | C00064550 |      |        |               | drain hose holder                  |        |            |
| 017  | C00064755 |      |        |               | drain hose collar                  |        |            |
| 021  | C00090932 |      |        |               | base cabinet plate usa normal ph   |        |            |
| 022  | C00065871 |      |        |               | blinking plug                      |        |            |
| 024  | C00254619 |      |        |               | hinge                              |        |            |
| 025  | C00256725 |      |        |               | screw testfer m4 x 16 mm           |        |            |
| 026  | C00065185 |      |        |               | bolt m4,5 x 8                      |        |            |
| 026  | C00143911 |      |        |               | blinking plate-rear(test plug) ul  |        |            |
| 028  | C00115663 |      |        |               | cabinet silver evo ii standard     |        |            |
| 031  | C00145769 |      |        |               | transit bolt                       |        |            |
| 032  | C00143924 |      |        |               | top silver+ plate ariston          |        |            |
| 034  | C00046667 |      |        |               | wiring stop                        |        |            |
| 035  | C00141387 |      |        |               | cable clamp hose                   |        |            |
| 037  | C00255691 |      |        |               | start lens                         |        |            |

1140350B

Exploded views



1140350B

Spare parts list

| Ref. | Code      | From     | To S/N   | Substitute    | Description                        | Notice | Industrial |
|------|-----------|----------|----------|---------------|------------------------------------|--------|------------|
| 001  | C00276595 |          |          |               | supply cable usa                   |        |            |
| 003  | C00019902 |          |          |               | plastic -u- to make drain hose     |        |            |
| 004  | C00091775 |          |          |               | drain hose to sink                 |        |            |
| 005  | C00257922 |          | 10205... | 1 x C00284971 | pressure switch 1 l. 85-60 ul      |        |            |
| 005  | C00284971 | 10206... |          |               | pressure switch 1 l. 76-51 ul usa  |        |            |
| 008  | C00046154 |          |          |               | additive cover                     |        |            |
| 009  | C00046148 |          |          | 1 x C00281253 | soap dispenser drawer (rotary)     |        |            |
| 010  | C00276598 |          |          |               | dispenser body usa ul              |        |            |
| 011  | C00092412 |          |          |               | hose clamp                         |        |            |
| 012  | C00144077 |          |          |               | pipe pressostat l= 540mm. evo ii   |        |            |
| 020  | C00065185 |          |          |               | bolt m4,5 x 8                      |        |            |
| 020  | C00257924 |          |          |               | thermal lock ul                    |        |            |
| 023  | C00045023 |          |          |               | filter handle                      |        |            |
| 023  | C00045025 |          |          |               | filter seal                        |        |            |
| 023  | C00045027 |          |          |               | pump filter kit                    |        |            |
| 024  | C00112504 |          |          |               | self cleaning pump 120v 60hz       |        |            |
| 025  | C00257889 |          |          |               | motor three phase (stator 40) vpl  |        |            |
| 026  | C00094744 |          |          |               | screw locking motor/tub            |        |            |
| 027  | C00112437 |          |          |               | hole for heating element           |        |            |
| 028  | C00083915 |          |          |               | thermistor ntc                     |        |            |
| 030  | C00254529 |          |          |               | module three phase + eeprom        |        |            |
| 031  | C00115069 |          |          |               | support cover 3 f                  |        |            |
| 031  | C00115070 |          |          |               | bracket for module 3 f             |        |            |
| 032  | C00254409 |          |          |               | protecting module (mylar) (hl)     |        |            |
| 033  | C00046157 |          |          |               | stopper detergent container        |        |            |
| 034  | C00046152 |          |          |               | additive container                 |        |            |
| 035  | C00276599 |          |          |               | hopper cover 2e 3u r 2.5 wm usa    |        |            |
| 036  | C00110452 |          |          |               | electrovalve 1way 5,5lt hot rst2.5 |        |            |
| 036  | C00110453 |          |          |               | electrovalve ie2u 7lt.rst2,5 120v  |        |            |
| 037  | C00005572 |          |          |               | sealing washer-mains inlet hose    |        |            |
| 038  | C00005781 |          |          |               | inlet hose filter                  |        |            |
| 039  | C00112930 |          |          |               | inlet hose with usa                |        |            |
| 040  | C00064534 |          |          |               | seal - dispenser to valve          |        |            |
| 041  | C00257907 |          |          |               | electrovalve support 2 ev usa      |        |            |
| 042  | C00276642 |          |          |               | wiring pressure switch-sensor-     |        |            |

1140350B

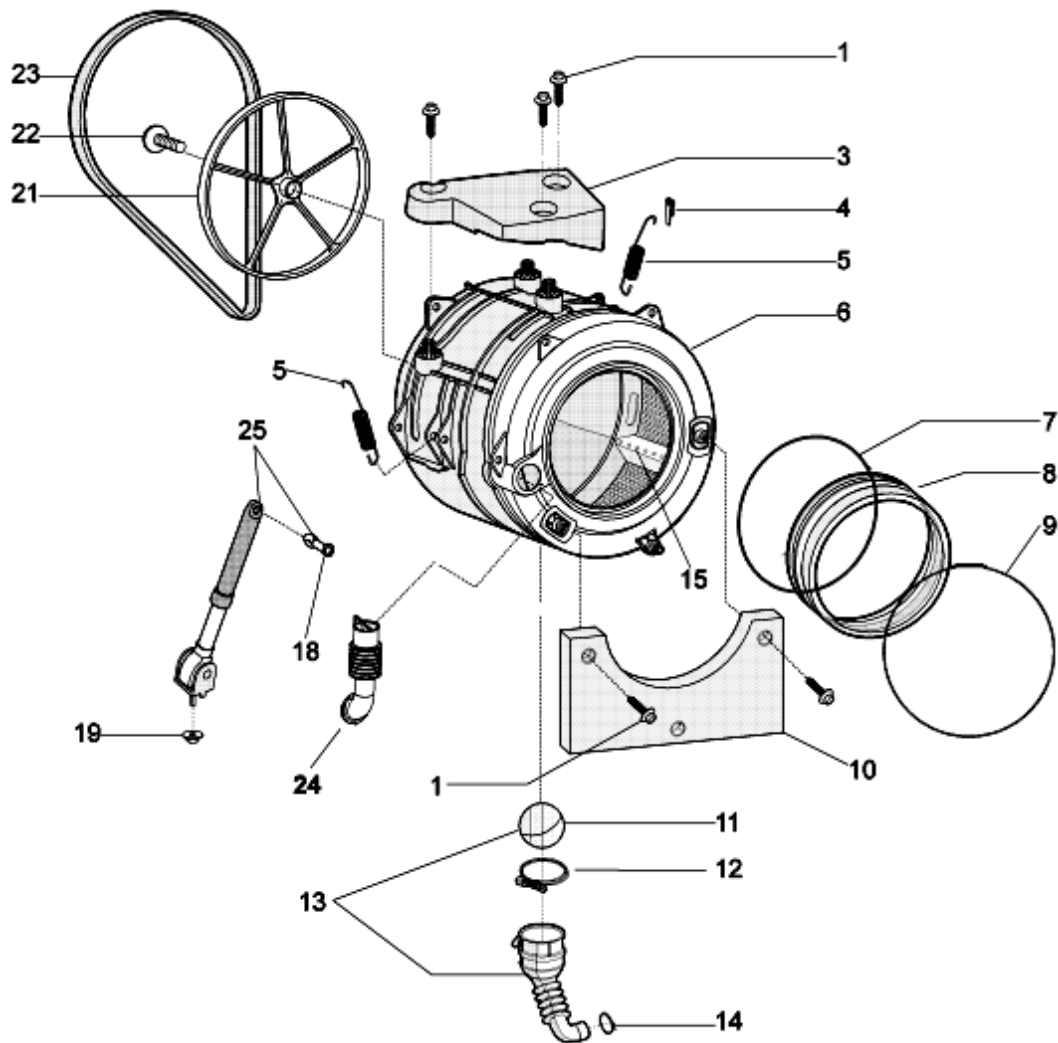
Spare parts list

| Ref. | Code      | From     | To S/N   | Substitute | Description                      | Notice | Industrial |
|------|-----------|----------|----------|------------|----------------------------------|--------|------------|
| 042  | C00276643 |          |          |            | wiring evp evl ntc (module j8)   |        |            |
| 042  | C00276644 |          |          |            | wiring comunic. display          |        |            |
| 042  | C00276645 |          |          |            | cablage door lock (j4)           |        |            |
| 042  | C00276646 |          |          |            | wiring pump-motor-module j9      |        |            |
| 042  | C00276647 |          |          |            | wiring earth                     |        |            |
| 043  | C00092348 |          |          |            | self-scraping screw 3,5x8        |        |            |
| 044  | C00256761 |          |          |            | emergency door release strap     |        |            |
| 045  | C00278309 |          | 10205... |            | card arwl129sna 8kb sw           |        |            |
| 045  | C00284974 | 10206... |          |            | card arwl129sna 8kb sw           |        |            |
| 046  | C00272306 |          |          |            | smart reader for card 8kb 32kb + |        |            |
| 099  | C00257890 |          |          |            | supressor filter ul              |        |            |

1180270C

Exploded views

Matr. 71020.0002



1180270C



1180270C

Spare parts list

| Ref. | Code      | From | To S/N | Substitute                     | Description                         | Notice   | Industrial |
|------|-----------|------|--------|--------------------------------|-------------------------------------|----------|------------|
| 001  | C00194611 |      |        |                                | screw.pl28 9.5x50 tmtfr t40         | n4011c00 |            |
| 001  | C00194612 |      |        |                                | screw larger diameter 11.3x50 kit   | n4011c00 |            |
| 003  | C00119110 |      |        |                                | upper counterweight 12.5 kg         |          |            |
| 004  | C00141682 |      |        |                                | anchorage pad - suspension          |          |            |
| 005  | C00145754 |      |        |                                | suspension spring - tank            |          |            |
| 006  | C00276312 |      |        |                                | tank plastic 52lt.allp.ultra usa ul |          |            |
| 007  | C00092155 |      |        |                                | door seal- rear retainer            |          |            |
| 008  | C00262267 |      |        | 1 x C00111416                  | door seal 30x30mm (hl)              |          |            |
| 009  | C00092156 |      |        |                                | door seal retainer front            |          |            |
| 010  | C00145205 |      |        |                                | front counterweight 11,4 kg         |          |            |
| 011  | C00092172 |      |        |                                | ball oko evo ii                     |          |            |
| 012  | C00094908 |      |        |                                | hose clamp                          |          |            |
| 013  | C00274662 |      |        |                                | outlet hose                         |          |            |
| 014  | C00092411 |      |        | 1 x C00094908                  | hose clamp                          |          |            |
| 015  | C00064789 |      |        | 1 x C00268109                  | lifter - extractable                |          |            |
| 018  | C00280757 |      |        |                                | plastic expansion peg new           |          |            |
| 019  | C00271652 |      |        |                                | nut romob m6x20x1,5                 |          |            |
| 021  | C00199343 |      |        |                                | drum pulley d=280 mm h=20 mm        |          |            |
| 022  | C00051739 |      |        | 1 x C00064786<br>1 x C00143260 | m8 x 20 tefl. 10.9 screw            |          |            |
| 023  | C00119126 |      |        |                                | belt 1201 - 1198 j6                 |          |            |
| 024  | C00066183 |      |        |                                | hose dispenser to tank              |          |            |
| 025  | C00140744 |      |        |                                | shock absorber 100 n kit            |          |            |